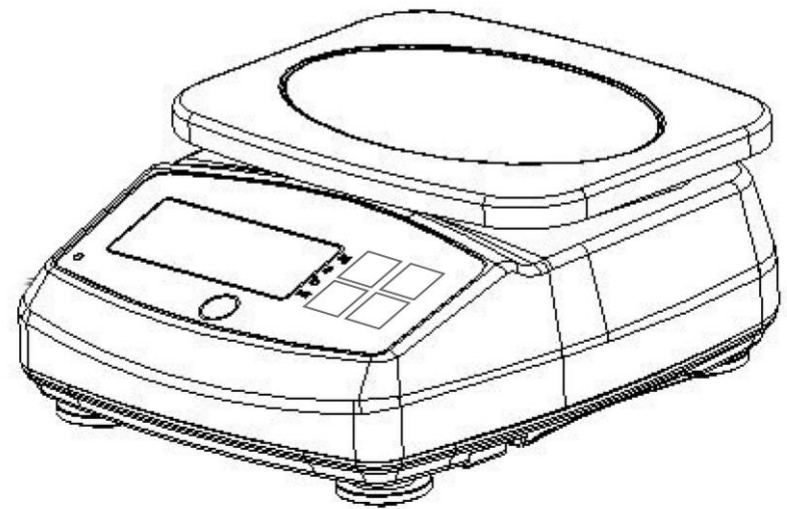


WPB SERIES

INSTRUCTION MANUAL



SAFETY PRECAUTIONS

All safety messages are identified by the following the words "WARNING" and "CAUTION". These words mean the following:

ΔWARNING	Important information to alert you to a situation that might cause serious injury and damage to your property if instructions are not followed.
ΔCAUTION	Important information that tells how to prevent damage to equipment.

When using the scale/balance, the following safety precautions should always be followed.

Δ WARNING

Use only the AC adaptor with the scale/balance. Other adaptor may cause damage.

Δ CAUTION

- **Avoid installing the scale/balance in direct sunlight, this may cause discoloration or malfunctions.**
- **Keep scale in room temperature, away from hot temperature.**
- **Avoid shock impact and loading over capacity. Do not keep heavy object permanently on the platform.**
- **If scale is not used for an extended period, keep it clean and stored in plastic package.**
- **Matter charged static electricity would influence the weighing.**

SPECIFICATIONS

Model number	Capacity	Division
WPB -6000	6000g/13lb	0.2g/0.01oz
WPB -15000	15000g/30lb	0.5g/0.02oz
Platter	210x160mm	
Net/gross weight	3100g/3500g	
Package	Standard carton: 31.5x27.5x21.5(cm ³)	
	4 Units in one box: 65x56x24(cm ³)	
Operating Temperature	0-40°C(32-104°F)	
Power source	Recharge battery or AC/DC	
	Adapter 10~12V/500mA	

Counting procedures

1. Press **[ON/OFF]** to turn on the scale.
2. Wait for "0" to appear on the display.
3. If necessary, press **[ZERO]** key to set the display to "0"
4. Press the **[PCS]** key to put the scale in PCS mode. ,the display will show P=X X
5. Press the **[PCS]** key to select XX value (10, 20, 50, 100)
6. Place a given number of samples of an item on the pan (the Sample Size should be either 10, 20, 50 or 100 pieces).
7. Press **[UNIT]** key to accept sample quantity, the display will show PASS.
8. Start counting by adding weight on the scale.
9. Press **[UNIT]** key to return to the weighing mode.

FUNCTION SETTINGS

1. Enter function setting mode.
Press **[ON/OFF]** to turn the power off. Press **[PCS]** first, then press **[ON/OFF]**, while keeping **[PCS]** pressed, the display will show **A_ON** or **A_OFF**.
2. Selection of auto backlight mode.
When the balance enter function setting menu. Press **[PCS]** key, the display will show **L_ON** or **L_OFF**, press **[ZERO]**, selection display L_ON, this means auto backlight function active, press **[ZERO]** again, the display will show **L_OFF**, this means auto backlight function inactive, i.e. shut off backlight function.
3. Selection of auto shut off mode.
When the balance enter function setting menu. Press **[PCS]** key, the display will show **A_ON** or **A_OFF**, press **[ZERO]**, selection display A_ON, this means auto shut off function active. Press **[ZERO]** again, the display will show **A_OFF**, this means auto shut off function inactive.
4. Return to weighing mode.
Press **[ON/OFF]** to turn the power off, press **[ON/OFF]** again to turn on the power and the scale return to the weighing mode.

FEATURES

- Auto shut off (selectable).
- Auto zero tracking
- Low battery indication
- Large square weighing pan
- Net weight/stability indication
- 1/30000 division available
- Auto calibration
- Auto backlight (selectable)
- kg/g/lb/oz/lb:oz conversion
- with counting function

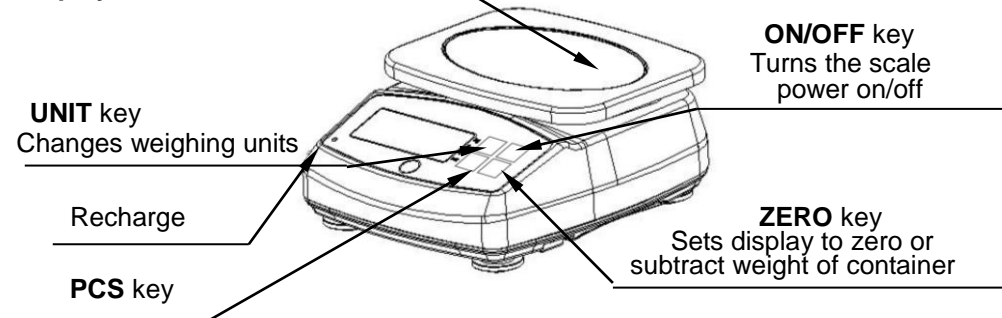
PARTS DESCRIPTION

▶ TOP

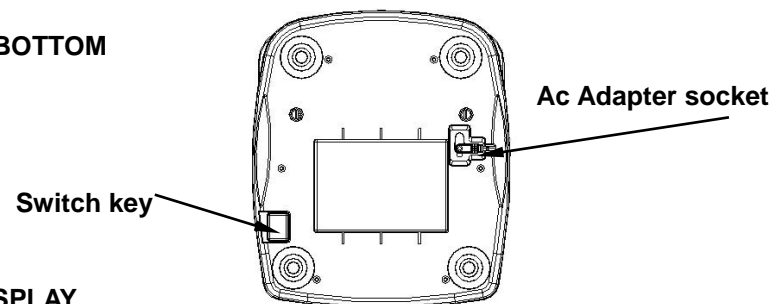
Weighing platform

The arch face of platform is front.
Correct the direction of the pan.

Display



▶ BOTTOM



▶ DISPLAY

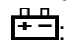


WEIGHING

Before weighing

Error messages

Err-O: Overload

: Low battery

Calibration may be required before weighing.

Read "CALIBRATION" first and if necessary, calibrate your scale/balance for accurate weighing.

Weighing procedures

1. Press [ON/OFF] to turn on the scale/balance.

When power is turned on, all display segments appear on LCD for a few seconds and then finally "0" will appear on the display.

2. Select the weighing unit with [UNIT].

Press [UNIT] to select a weighing unit, eg. "kg"、"g"

Once the unit has been selected, the unit arrow will be displayed next to the weight value.

3. Start weighing

If you do not use a container for weighing

Verify the reading is "0". If not, press [ZERO] to display "0".

Place objects on the weighing platform to weigh.

When the reading becomes stable, the stable indicator is displayed.

If you use a container for weighing

Place an empty container on the platform.

Wait for the stability indicator to be displayed and press [ZERO].

Place the objects to be weighed in the container.

When the reading becomes stable, the stable indicator is displayed.

CALIBRATION

When to calibrate

Calibration may be required when it is initially installed, if the scale/balance is moved to a substantial distance.

This is necessary because the weight of a mass in one location is not necessarily the same in another location. Also, with time and use, mechanical deviations may occur.

How to calibrate

Before entering calibration mode, **There is a switch key on the bottom of the scale. Turn on the switch key first**, then press [ON/OFF] to turn the power on for 1 minutes.

1. Press [ON/OFF] to turn the power off. Press [ZERO] first, then Press [ON/OFF], while keep pressing [ZERO], the display will show CALU=, press [UNIT] key to select full capacity unit kg, g,lb,oz. Press [ZERO] the display will show XX.XXXX.

2. Press [UNIT] key to move the flash digit to right, press [PCS] key to increase the flash digit. Ppress [ZERO] key to confirm the selection,.the display will show "CAL" and then the A/D value (the calibration weight should be more than 2/3 of full capacity).

3. Press [UNIT], the display will show "-----" and then the calibration weight . Place the calibration weight on platform. Press [UNIT] key , the display will show "-----" and then the A/D value, Now calibration is finished. Remove the weight from the platform.

4. Press [ON/OFF], turn off the power, press [ON/OFF] to turn on the power again, place full weight on the platform to make sure whether weighing is correct, if not, repeat steps 1-4.

5. Return to weighing mode

Press [ON/OFF] to turn the power off. Press [ON/OFF] again to turn on the power and the scale/balance return to the weighing mode.