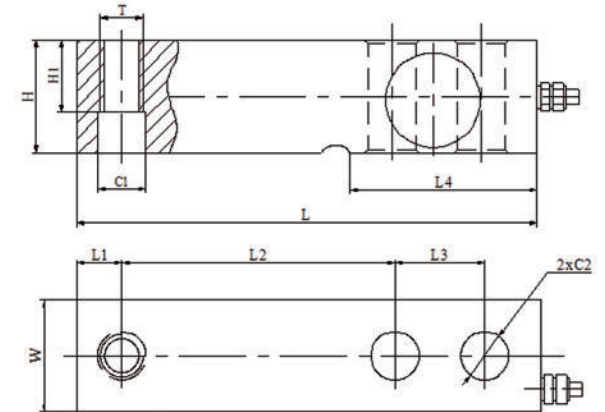


ALLOY STEEL & STAINLESS STEEL



Single-Ended Shear Beam

NTEP: III, 6000 Multiple Cell



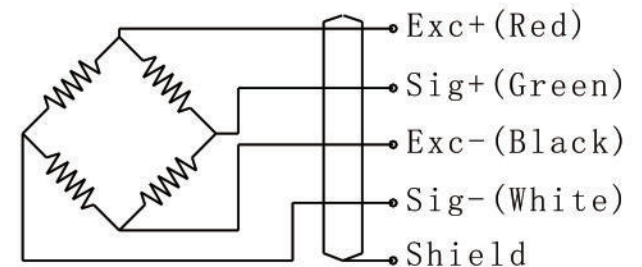
RATED CAPACITY

K1b/mm	L	L1	L2	L3	L4	H	H1	W	C1	C2	T
0.5 to 5k1b se	5.12	0.5	3	1	2.11	1.25	0.62	1.25	Φ0.53	Φ0.51	1/2-20UNF
5 to 10k1b	6.75	0.75	3.75	1.5	2.85	1.5	0.75	1.5	Φ0.78	Φ0.79	3/4-16UNF
15 to 20k1b	8.88	1	4.88	2	4.02	2	1	2	Φ1.06	Φ1.06	1-14UNS

SPECIFICATIONS

Full scale Output:	2.0 ± 0.003mV/V
Zero Balance:	± 1% F.S
Accuracy Class:	III 6000, NTEP approval
Repeatability:	< ± 0.03%aF.S
Hysteresis Error:	< ± 0.03% F.S
Creep (30 min):	< ± 0.02%F.S
Input Resistance:	381 ± 5Ω
Output Resistance:	350 ± 3Ω
Recommended Excitation:	10V (15V Maximum)
Insulation Resistance:	> 5000MΩ (50V DC)
Temperature Effect on Sensitivity:	< ± 0.05% F.S/10°C
Temperature Effect on Zero Balance:	< ± 0.05% F.S/10°C
Compensated Temperature Range:	-10°C to 40°C
Operating Temperature Range:	-10°C to 40°C
Storage Temperature Range:	-30°C to 70°C
Safe Overload:	150% of full scale
Ultimate Overload:	250% of full scale
IP class:	Ip68
Material:	Alloy Steel & Stainless Steel
Warranty:	One-year limited warranty

Wiring Schematic Diagram



INTERCHANGEABLE PRODUCTS

Manufacturer	Model
Vishay Celtron	SQB
Vishay Sensortronics	65023
Keli Sensing	SQBY