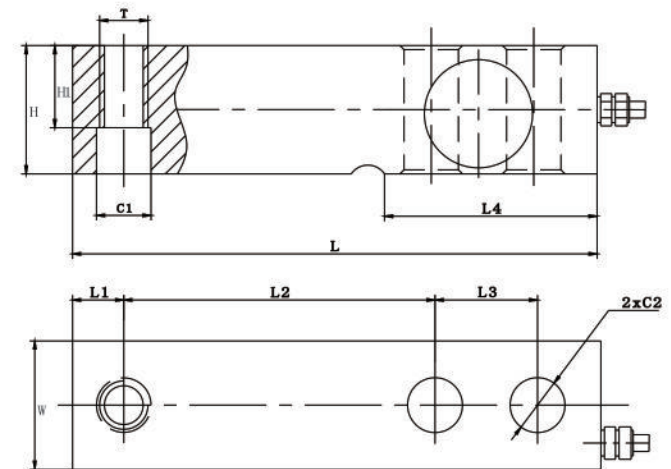


ALLOY STEEL & STAINLESS STEEL



Single-Ended Shear Beam



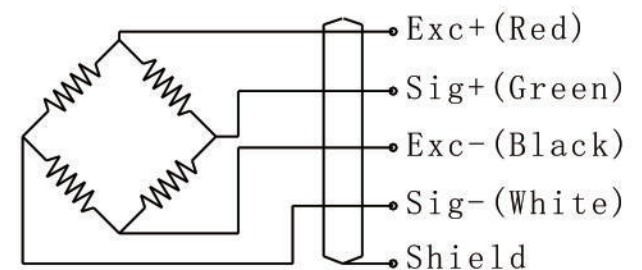
RATED CAPACITY

ton/mm	L	L1	L2	L3	L4	H	H1	W	C1	C2	T
0.25, 0.5, 1, 2	130	12.7	76.2	25.4	53.5	31.8	15.7	31.8	∅ 13.5	∅ 13	M12
3, 5	171.5	19	93.5	38.1	72.5	38.1	26	38.1	∅ 20	∅ 20	M18 X1.5
7.5, 10	225.5	124	124	50.8	102	50.8	25.4	50.8	∅ 27	∅ 27	M24X2

SPECIFICATIONS

Full scale Output:	2.0 ± 0.003mV/V
Zero Balance:	± 1% F.S
Accuracy class:	C3 to C6 oiml approval
Repeatability:	< ± 0.02% F.S
Hysteresis Error:	< ± 0.03% F.S
Creep (30 min):	< ± 0.02%F.S
Input Resistance:	381 ± 5Ω
Output Resistance:	350 ± 3Ω
Recommended Excitation:	10V (15V Maximum)
Insulation Resistance:	> 5000MΩ (50V DC)
Temperature Effect on Sensitivity:	< ±0.05% F.S/10°C
Temperature Effect on Zero Balance:	< ± 0.05% F.S/10°C
Compensated Temperature Range:	-10°C to 40°C
Operating Temperature Range:	-10°C to 40°C
Storage Temperature Range:	-30°C to 70°C
Safe Overload:	150% of full scale
Ultimate Overload:	250% of full scale
IP class:	Ip68
Material:	Alloy Steel &Stainless steel
Warranty:	One-year limited warranty

Wiring Schematic Diagram



INTERCHANGEABLE PRODUCTS

Manufacturer	Model
Vishay Celtron	SQB
Vishay Sensortronics	65023
Zemic	H8C

OIML C3 is available for 0.5t to 2.5t, the accuracy beyond 0.5t-2.5t is 0.03% F.S.

www.acecellschina.com

Dimensions and specifications subject to change without notice