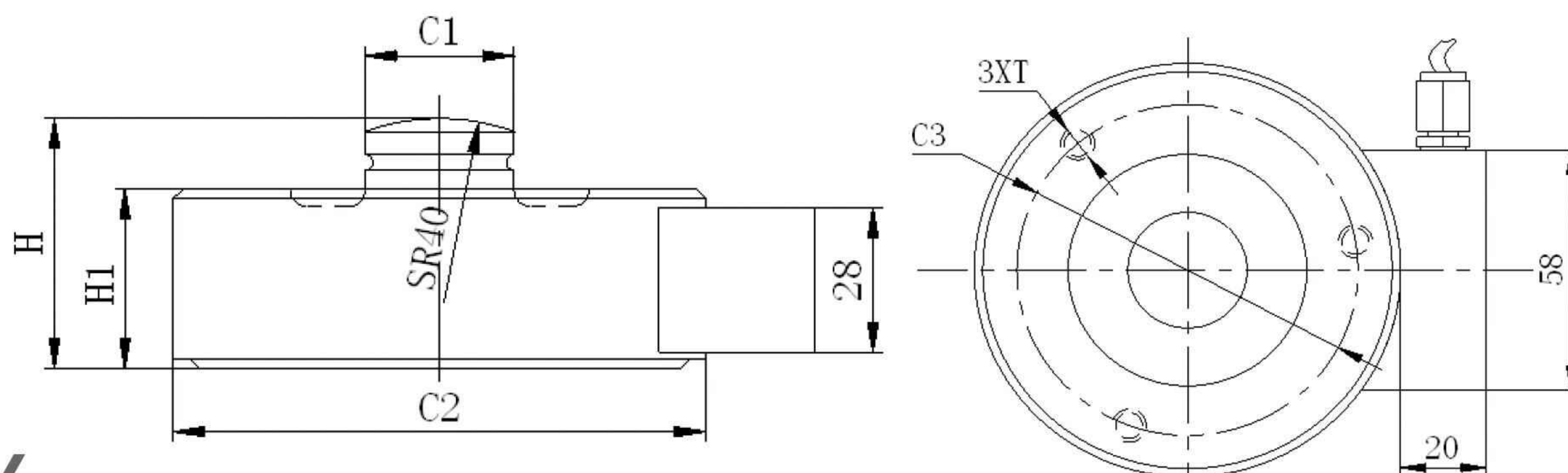




Compression Type



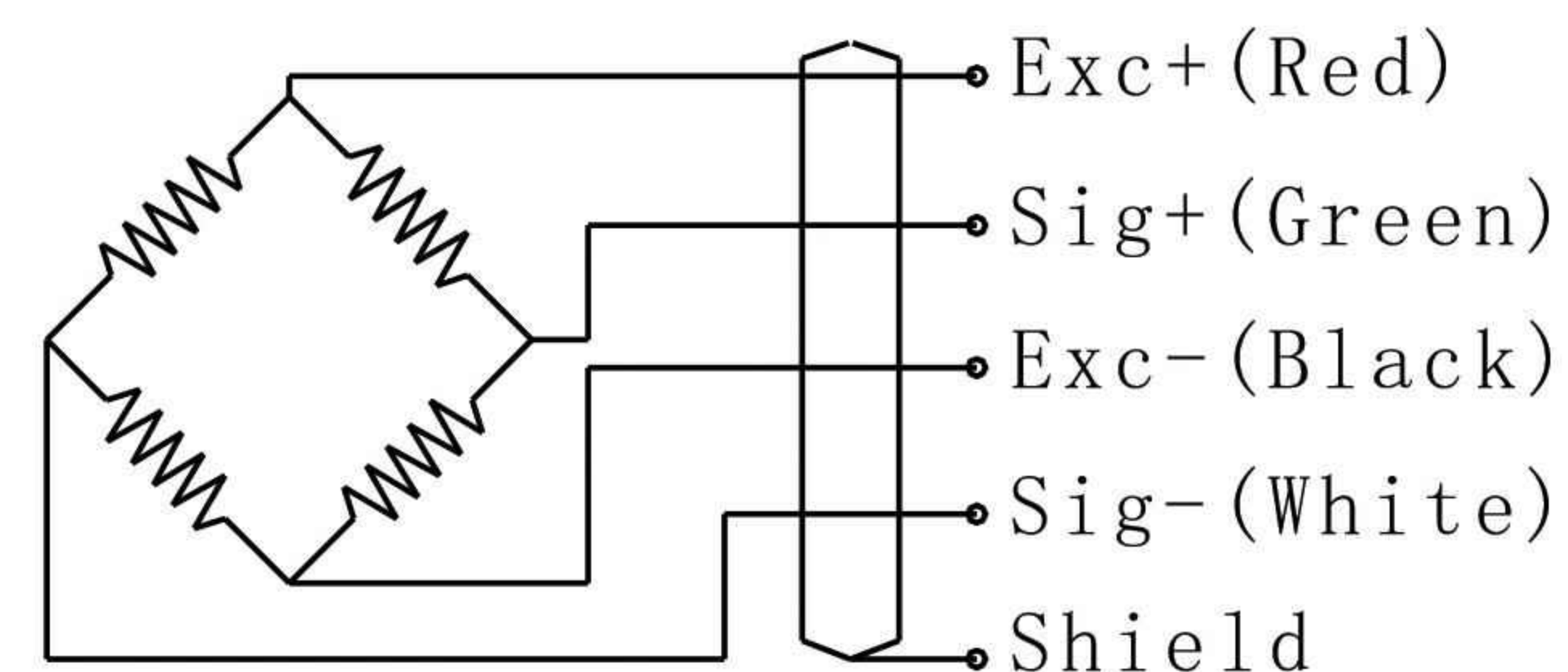
RATED CAPACITY

Rated Capacity (t)	C1	C2	C3	H	H1	T
2.5, 5, 10t	22	82	65	44	32	M6 depth 8
15, 20	28	100	80	48.5	35	M8 depth 10

SPECIFICATIONS

Full scale Output:	$2 \pm 0.005\text{mV/V}$
Zero Balance:	$\pm 1\% \text{ F.S}$
Accuracy class:	C3 OIML approval
Repeatability:	$< \pm 0.02\% \text{ F.S}$
Hysteresis Error:	$< \pm 0.03\% \text{ F.S}$
Creep (30 min):	$< \pm 0.02\% \text{ F.S}$
Input Resistance:	$400\Omega \pm 20\Omega / / 750\pm 10\Omega$
Output Resistance:	$352\Omega \pm 3\Omega / 702\pm 3\Omega$
Recommended Excitation:	10V (15V Maximum)
Insulation Resistance:	$> 5000\text{M}\Omega$ (50V DC)
Temperature Effect on Sensitivity:	$< \pm 0.02\% \text{ F.S}/10^\circ\text{C}$
Temperature Effect on Zero Balance:	$< \pm 0.02\% \text{ F.S}/10^\circ\text{C}$
Compensated Temperature Range:	-10°C to 40°C
Operating Temperature Range:	-10°C to 40°C
Safe Overload:	150% of full scale
Ultimate Overload:	250% of full scale
IP class:	Ip68
Material:	Stainless Steel
Warranty:	One-year limited warranty

Wiring Schematic Diagram



INTERCHANGEABLE PRODUCTS

Manufacturer	Model
Unticell	420
Laumas	CBL, CBX

OIML C3 is available for 10t to 20t, the accuracy beyond 10t-20t is 0.03% F.S.

www.acecellschina.com

Dimensions and specifications subject to change without notice