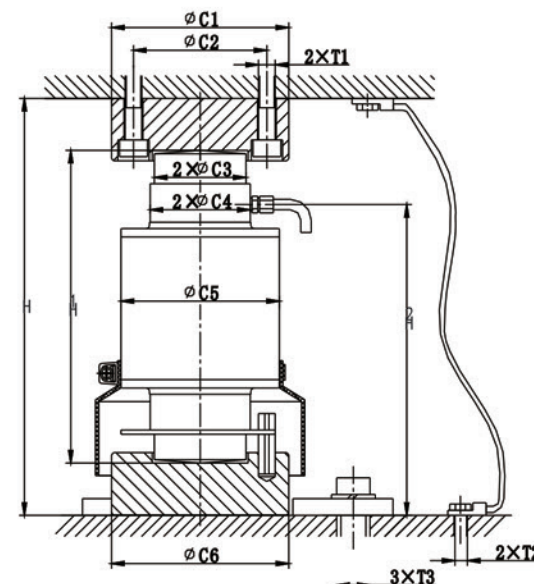




ALLOY STEEL

Canister Compression



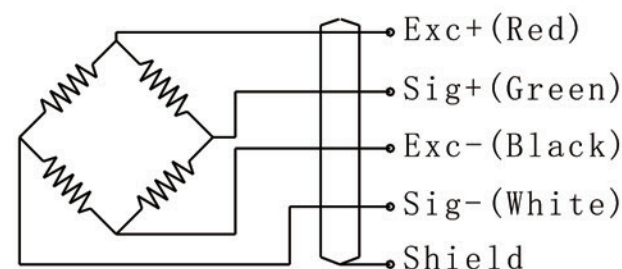
RATED CAPACITY

ton/mm	C1	C2	C3	C4	C5	C6	H	H1	H2	T1	T2	T3
10 to 50	85	64	44	48	76	85	200	150	149	M8	M8	M16

SPECIFICATIONS

Full scale Output:	$2 \pm 0.002\text{mV/V}$
Zero Balance:	$\pm 1\% \text{ F.S}$
Accuracy:	C3, C4, OIML approval
Repeatability:	$< \pm 0.02\% \text{ F.S}$
Hysteresis Error:	$< \pm 0.03\% \text{ F.S}$
Creep (30 min):	$< \pm 0.02\% \text{ F.S}$
Input Resistance:	$750\Omega \pm 10\Omega$ (WL506) $400\Omega \pm 20\Omega$ (WL507)
Output Resistance:	$700\Omega \pm 20\Omega$ (WL506) $352\Omega \pm 3\Omega$ (WL507)
Recommended Excitation:	10V (15V Maximum)
Insulation Resistance:	$> 5000\text{M}\Omega$ (50V DC)
Temperature Effect on Sensitivity:	$< \pm 0.02\% \text{ F.S}/10^\circ\text{C}$
Temperature Effect on Zero Balance:	$< \pm 0.02\% \text{ F.S}/10^\circ\text{C}$
Compensated Temperature Range:	-10°C to 40°C
Operating Temperature Range:	-10°C to 40°C
Storage Temperature Range:	-30°C to 70°C
Safe Overload:	150% of full scale
Ultimate Overload:	250% of full scale
IP class:	Ip68
Material:	One-year limited warranty
Warranty:	

Wiring Schematic Diagram



INTERCHANGEABLE PRODUCTS

Manufacturer	Model
HBM	C16
Keli Sensing	ZSFY
Zemic	BM14G

C3 is Available for 10 to 50t, the accuracy beyond 10 to 50t is accuracy is 0.03% F.S