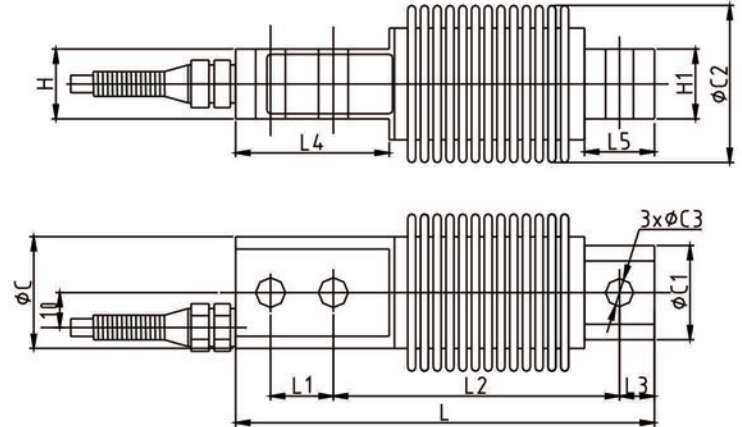


STAINLESS STEEL



Single-Ended Shear Beam



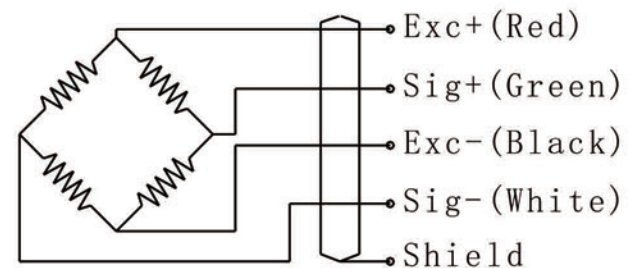
RATED CAPACITY

Kg/mm	L	L1	L2	L3	L4	L5	H	H1	C	C1	C2	C3
5 to 250kg	120	18	82	10	44	20	20	20	32	25.5	45	8.2
300, 500	120	18	82	10	44	20	20	20	32	25.5	45	10.2

SPECIFICATIONS

- Full scale Output: 2.0mV/V ± 0.002mV/V
- Zero Balance: ± 1% F.S
- Accuracy class: C3 OIML approval
- Repeatability: < ± 0.03% F.S
- Hysteresis Error: < ± 0.03% F.S
- Creep (30 min): < ± 0.02%F.S
- Input Resistance: 400 ± 20Ω
- Output Resistance: 352 ± 3Ω
- Recommended Excitation: 10V (15V Maximum)
- Insulation Resistance: > 5000MΩ (50V DC)
- Temperature Effect on Sensitivity: < ± 0.05% F.S/10°C
- Temperature Effect on Zero Balance: < ± 0.05% F.S/10°C
- Compensated Temperature Range: -10°C to 40°C
- Operating Temperature Range: -10°C to 40°C
- Storage Temperature Range: -30°C to 70°C
- Safe Overload: 150% of full scale
- Ultimate Overload: 250% of full scale
- IP class: Ip68
- Material: Stainless Steel
- Warranty: One-year limited warranty

Wiring Schematic Diagram



INTERCHANGEABLE PRODUCTS

Manufacturer	Model
Vishay Celtron	HBB
Vishay TedeA Huntleigh	355
HBM	Z6
Cardinal	CB6

\*OIML C3 is available for 100kg to 500kg, the accuracy beyond 100kg-500kg is 0.03% F.S.